

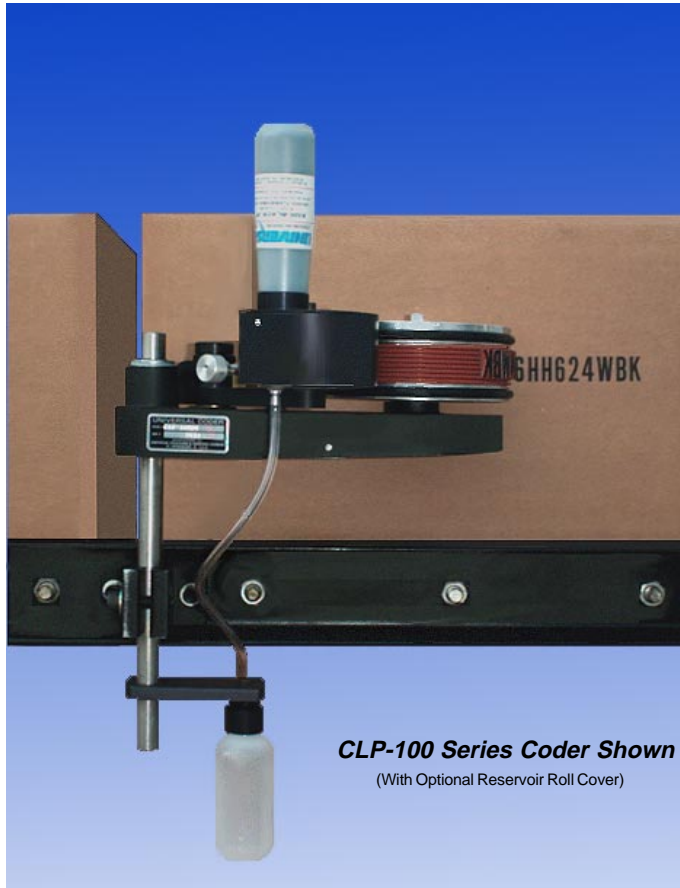
abm marking

Technical Bulletin

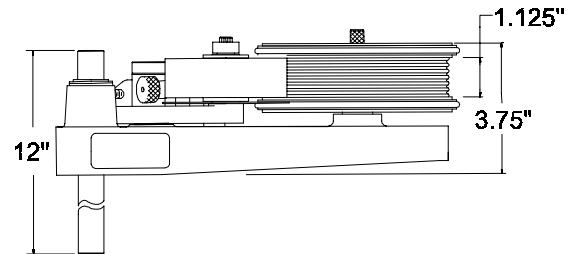
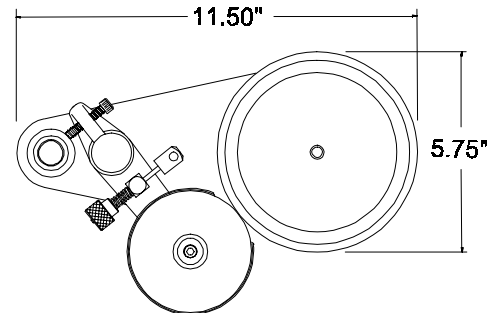
Porous Conveyor Line Printers

AUTOMATIC PRINTING HAS NEVER BEEN SO EASY!

Universal's Conveyor Line Printers automatically print data on moving cartons and other flat surfaced materials with unsurpassed accuracy and legibility. These machines are mounted right on the conveyor line and require no power or operator assistance to print high quality impressions thousands of times a day.



CLP-100 Series Coder Shown
(With Optional Reservoir Roll Cover)



ALSO AVAILABLE IN 2", 3" & 4" PRINT WIDTH MODELS.

Exclusive Features

- Indexing (spot printing) and non-indexing (continuous printing) models with print areas up to 4" x 17-1/2".
- Field convertible mounting configuration for printing on the top, sides or bottom of the product.
- Precision machined, impact resistant aluminum castings with polyurethane finish for corrosion resistance.
- Permanently lubricated, sealed ball bearings in the print drum for extremely accurate, low friction drum rotation.
- Stainless steel mounting columns and shafts for durability even in harsh environments.
- Indexing mechanism with dual compression springs mounted over stainless steel guide rods prevents spring breakage and provides unsurpassed indexing speed and accuracy.
- Universal Ribtype die system allows text information to be set using individual characters or one piece logo dies. Custom dies can also be produced from camera ready copy.

Optional Features

To eliminate the task of re-inking the ink roll manually, the optional Reservoir Roll Covers, as shown in the picture above, can be added to the coder which enable the use of our patented, disposable 4 oz. Reservoir Ink Cartridges which can be used with any of the CLP series printers. Simply add the appropriate size roll cover and our 4 oz. disposable ink cartridge and it will automatically apply ink to the ink roll during the printing operation. Universal's Reservoir Inking System feeds ink only when the machine is actively printing unlike gravity systems that continue to feed ink even when the conveyor line has stopped. Please note that the ink roll on the coder must be pre-inked prior to installing a 4 oz. Reservoir Ink Cartridge.

abm marking ltd.

2799 South Belt West - Belleville, IL 62226

Phone: (618) 277-3773 Fax: (618) 277-3782 Email: RogSch@aol.com

Web: <http://members.aol.com/abmmarking/>